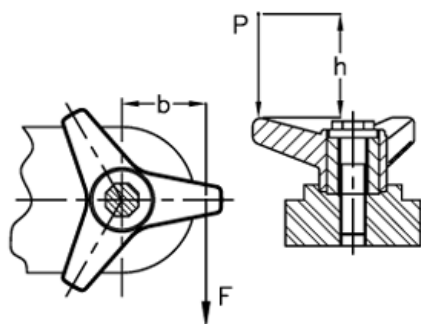
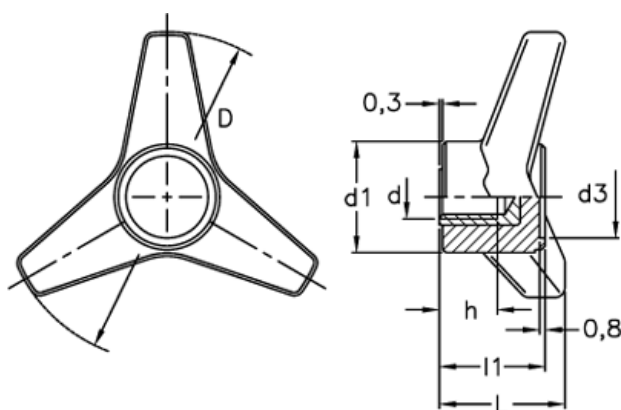


Article number: 2302065635
 Description: E+G Three-arm knob
 VB.639/63 B-M8

Measures



$$C[N \cdot m] = F[N] \cdot b[m] \quad L[J] = P[N] \cdot h[m]$$

C (N m)	= 30	l1 = 25
D	= 63	
d1	= 26	
d3	= 18	
d 6H	= M8	
h	= 15	
L	= 28	
L(J)	= 7	